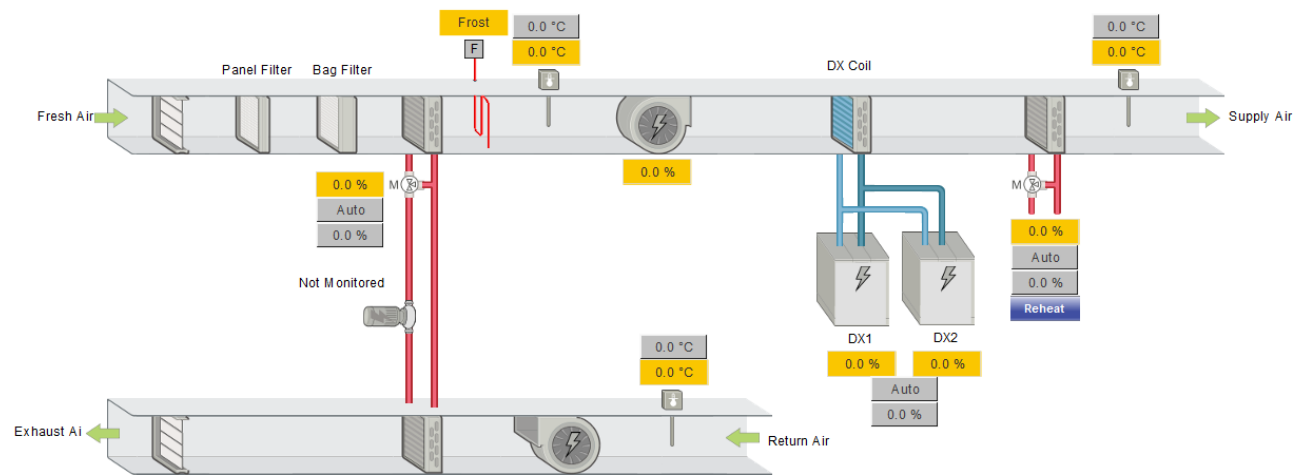




### Example Graphic Air Handling Units

0.0 °C OAT

- Menu
- Pathology Menu
- Air Handling Units
- Cold Water Services
- Chilled Water System
- Dashboard
- Departments
- Electrical
- Floor Plans
- Generators
- Heating Systems
- Metering
- Plantrooms
- Ventilation



- Overrides
- Network
- Users
- Setpoint Change
- Histories

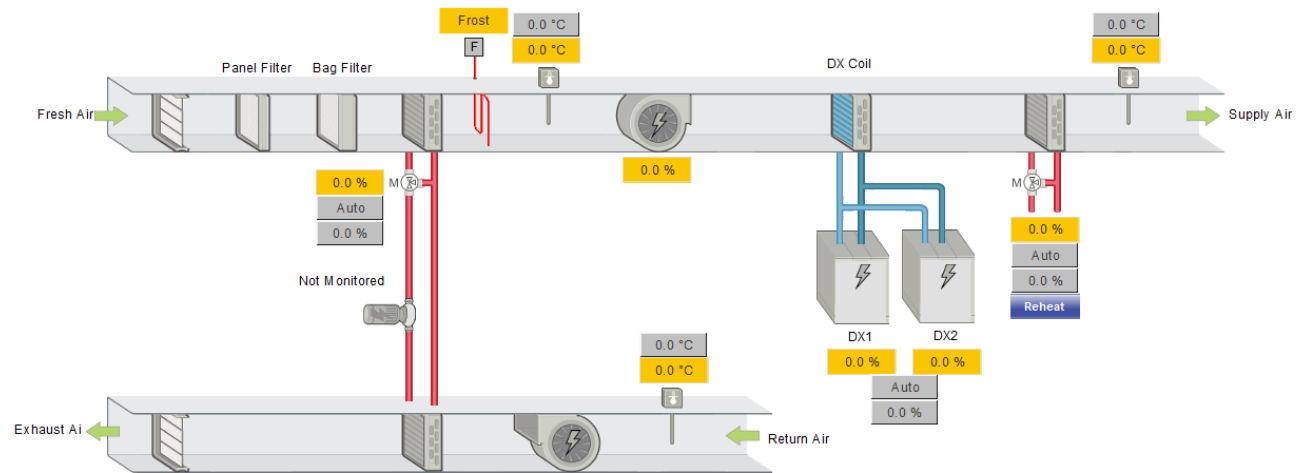
Control		Fan Speed Control	
Time Zone	Occupied	Supply Fan Speed Sp	0.0 %
Flow Fail Reset	Reset		
Plant in Auto/Hand	Auto		



### Example Graphic Air Handling Units

0.0 °C OAT

- Menu
- Pathology Menu
- Air Handling Units
- Cold Water Services
- Chilled Water System
- Dashboard
- Departments
- Electrical
- Floor Plans
- Generators
- Heating Systems
- Metering
- Plantrooms
- Ventilation



- Overrides
- Network
- Users
- Setpoint Change
- Histories

Control		Fan Speed Control	
Time Zone	Occupied	Supply Fan Speed Sp	0.0 %
Flow Fail Reset	Reset		
Plant in Auto/Hand	Auto		



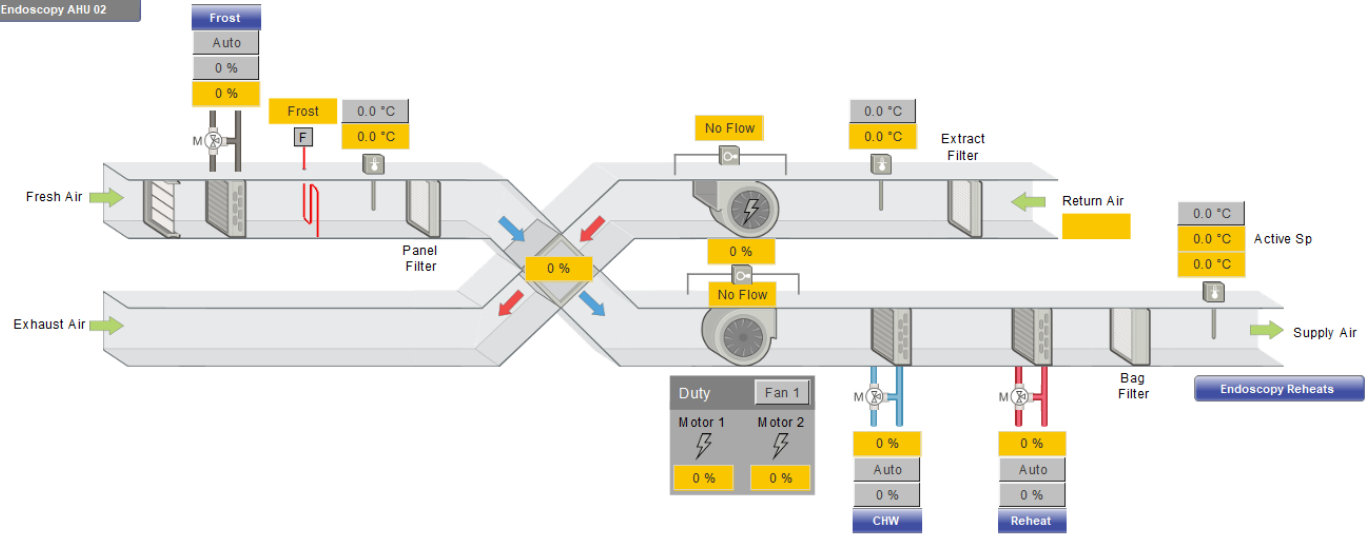
### Example Graphic Air Handling Units

0.0 °C OAT

Fire Alarm

- Menu
- Air Handling Units
- Cold Water Services
- Chilled Water System
- Dashboard
- Departments
- Electrical
- Floor Plans
- Generators
- Heating Systems
- Metering
- Plantrooms
- Ventilation

- Endoscopy Menu
- Endoscopy AHU 02



- Overrides
- Network
- Users
- Setpoint Change
- Histories

Control	
Time Zone	Occupied
Flow Fail Reset	Reset
ChW Flow Temp	0.0 °C
ChW Return Temp	0.0 °C

Chlorine Plant	
Chlorine Level	0.0 %
Chlorine Alarm Level	0.0 %
Chlorine Alarm Delay	0.0 min
Pre Alarm	Healthy
Chlorine Plant Shutdown	Healthy
Chlorine Shutdown Delay	0.0 min

Fan Speed Control	
Supply Fan Speed Sp	0 %
Extract Fan Speed Sp	0 %

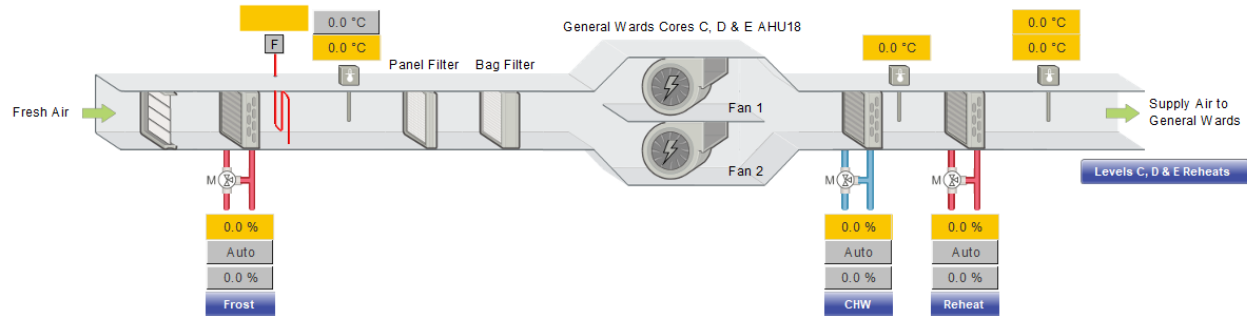




### Example Graphic Air Handling Units

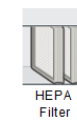
0.0 °C OAT

- Menu
- Plantroom G
- Air Handling Units
- General Wards AHU
- Cold Water Services
- Chilled Water System
- Dashboard
- Departments
- Electrical
- Floor Plans
- Generators
- Heating Systems
- Metering
- Plantrooms
- Ventilation



- Overrides
- Network
- Users
- Setpoint Change
- Histories

Control		Supply Adjustments	
Time Zone	Occupied	Min. Supply Air Sp	0.0 °C
Flow Fail Reset	Reset	Max. Supply Air Sp	0.0 °C
		Extract Deadband	0.0 °C
		Extract Temp Sp	0.0 °C
		Duty Fan	Fan 1

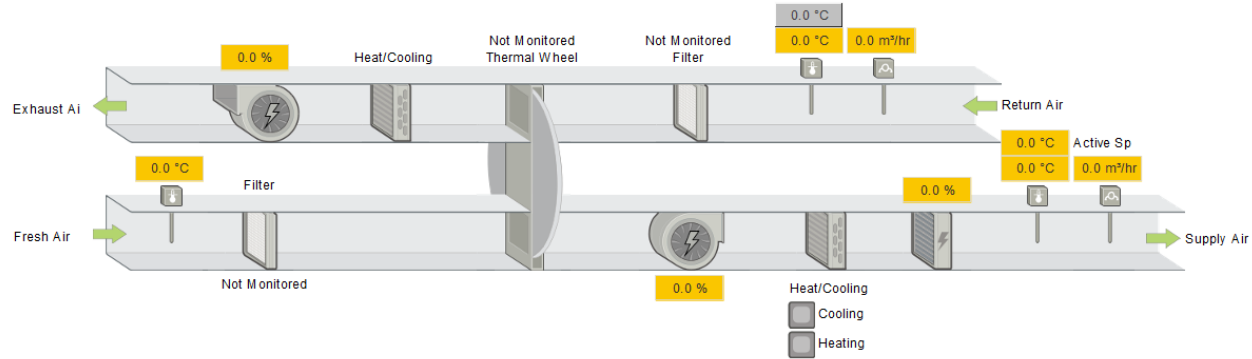




### Example Graphic Air Handling Units

0.0 °C OAT

- Menu
  - Air Handling Units
  - Cold Water Services
  - Chilled Water System
  - Dashboard
  - Departments
  - Electrical
  - Floor Plans
  - Generators
  - Heating Systems
  - Metering
  - Plantrooms
  - Ventilation
- Haste MRI Unit Menu
- Haste MRI Unit AHU 1-01



- Overrides
- Network
- Users
- Setpoint Change
- Histories

Control

Time Zone	Occupied
Override	Off
Override Time	0 hr
AHU Enable	<input type="checkbox"/>
AHU Fault	<input type="checkbox"/>

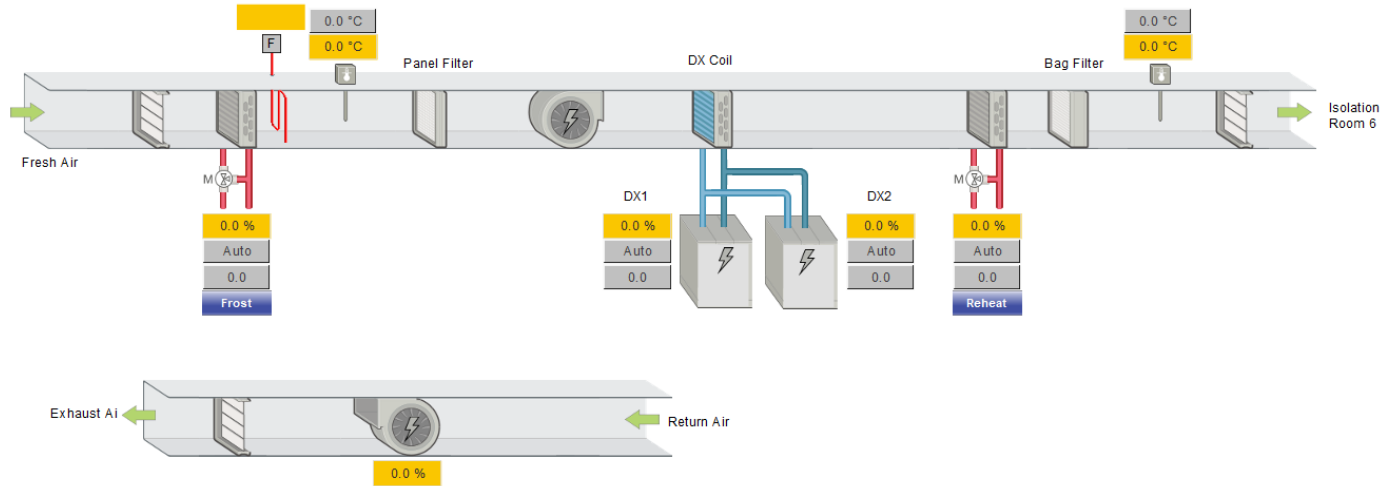


### Example Graphic Air Handling Units

0.0 °C OAT

- Menu
- Intensive Care Unit Menu
- Air Handling Units
- Cold Water Services
- Chilled Water System
- Dashboard
- Departments
- Electrical
- Floor Plans
- Generators
- Heating Systems
- Metering
- Plantrooms
- Ventilation

Nurses Station Panel



- Overrides
- Network
- Users
- Setpoint Change
- Histories

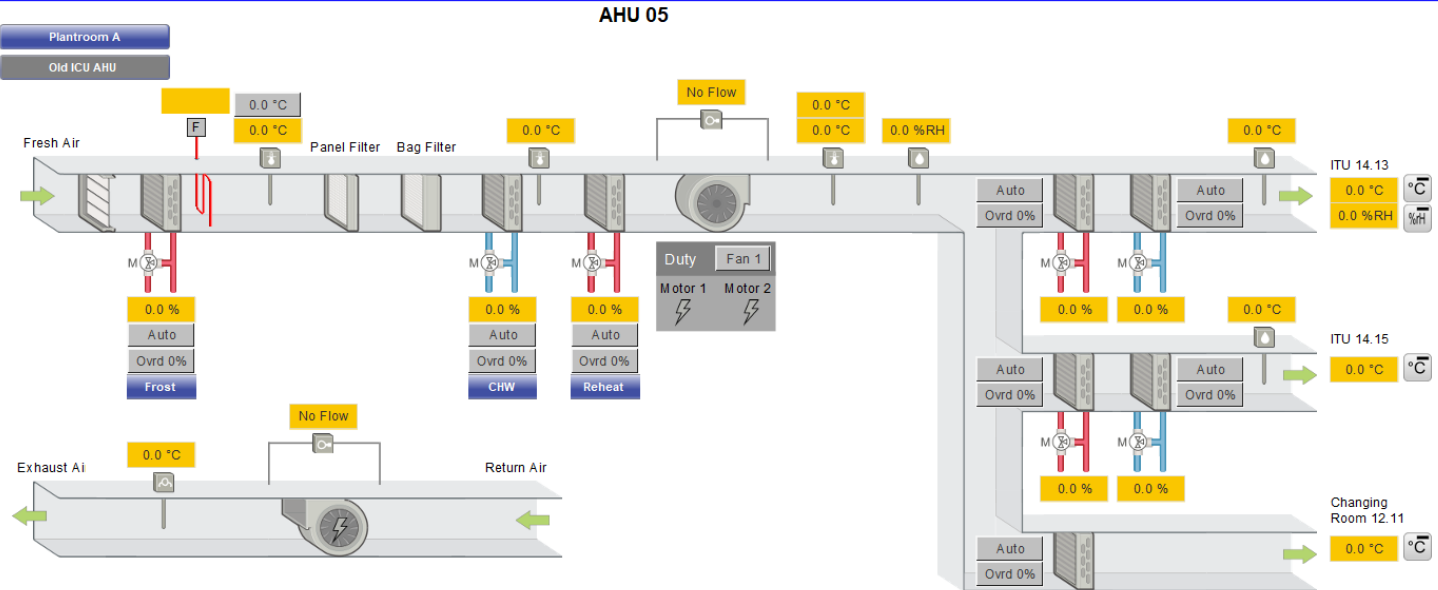
Control		Supply Adjustments	
Time Zone	Occupied	Supply Air Deadband	0.0 °C
Override	Auto		
Override Time	0 hr		
1st Stage Frost Sp	0.0 °C		
1st Stage Frost Active	Off		



### Example Graphic Air Handling Units

0.0 °C OAT

- Menu
- Plantroom A
- Air Handling Units
- Cold Water Services
- Chilled Water System
- Dashboard
- Departments
- Electrical
- Floor Plans
- Generators
- Heating Systems
- Metering
- Plantrooms
- Ventilation



- Overrides
- Network
- Users
- Setpoint Change
- Histories

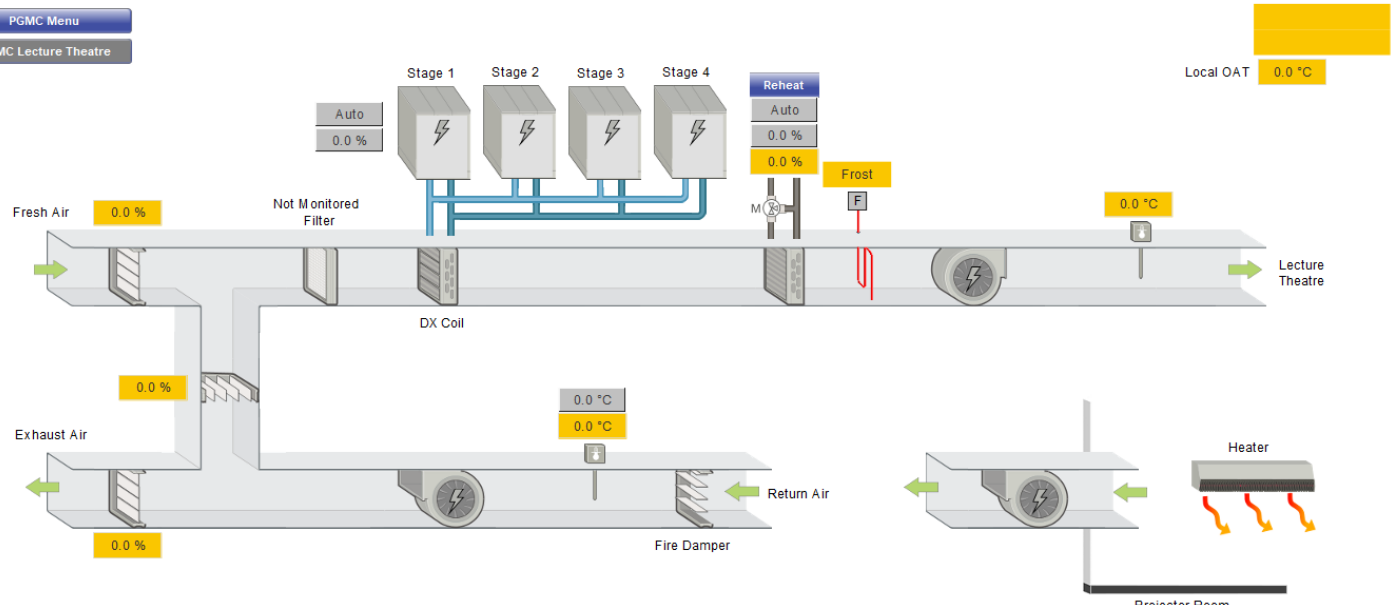
Control		Theatres	
Time Zone	Occupied	ITU 14.13 Occ Temp Sp	0.0 °C
Flow Fail Reset	Reset	ITU 14.13 Min. Temp Sp	0.0 °C
		ITU 14.13 Max. Temp Sp	0.0 °C
		ITU 14.15 Occ Temp Sp	0.0 °C
		ITU 14.15 Min. Temp Sp	0.0 °C
		ITU 14.15 Max. Temp Sp	0.0 °C
		Changing Rm 12.11 Occ Tmp Sp	0.0 °C
Supply Adjustments			
Supply Air Temp Sp	0.0 °C		
Supply Air Temp Deadband	0.0 °C		



### Example Graphic Air Handling Units

0.0 °C OAT

- Menu
- Air Handling Units
- Cold Water Services
- Chilled Water System
- Dashboard
- Departments
- Electrical
- Floor Plans
- Generators
- Heating Systems
- Metering
- Plantrooms
- Ventilation



- Overrides
- Network
- Users
- Setpoint Change
- Histories

Control		Adjustments	
Time Zone	Occupied	Min. Supply Air Sp	0.0 °C
Mode	Off	Max. Supply Air Sp	0.0 °C
Safety Circuit Status	Normal	Min. Fresh Air Sp	0.0 %
Safety Circuit	Reset	Flow Fail Reset	Reset







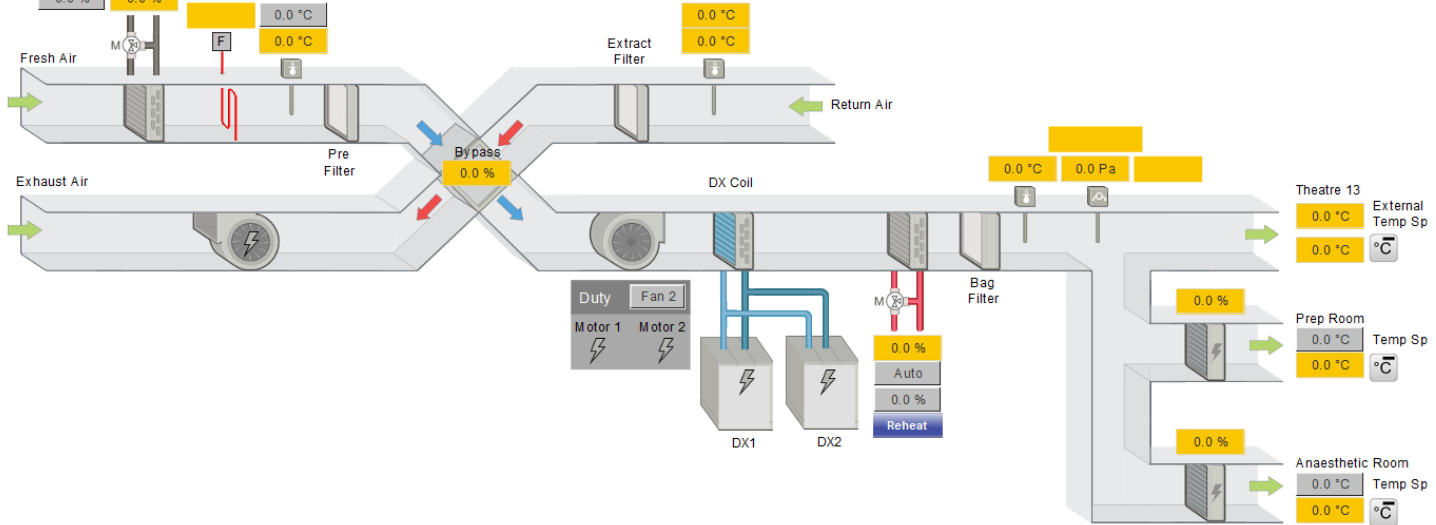
### Example Graphic Air Handling Units

0.0 °C OAT

- Menu
- Air Handling Units
- Cold Water Services
- Chilled Water System
- Dashboard
- Departments
- Electrical
- Floor Plans
- Generators
- Heating Systems
- Metering
- Plantrooms
- Ventilation

Plantroom B  
Theatre 13

Auto 0.0 %  
Frost 0.0 %



- Overrides
- Network
- Users
- Setpoint Change
- Histories

Control	
Time Zone (Occupancy)	Occupied
Time Zone (Setback)	UnOcc
Setback Delay Off Time	0.0 hr
Flow Fail Reset	Reset
Vent Mode	Normal

Supply Adjustments	
Min. Supply Air Sp	0.0 °C
Max. Supply Air Sp	0.0 °C
Setback Temp Sp	0.0 °C
Deadband Sp	0.0 °C

Information	
IPS Unit 1 Status	Healthy
IPS Unit 2 Status	Healthy
Split AC System Status	Healthy
AGSS Plant Status	Fault

Information	
UCV Mode	Operating
UCV Filter	Clean
UCV Status	Healthy

Theatre 13  
0.0 °C External Temp Sp  
0.0 °C °C

Prep Room  
0.0 °C Temp Sp  
0.0 °C °C

Anaesthetic Room  
0.0 °C Temp Sp  
0.0 °C °C

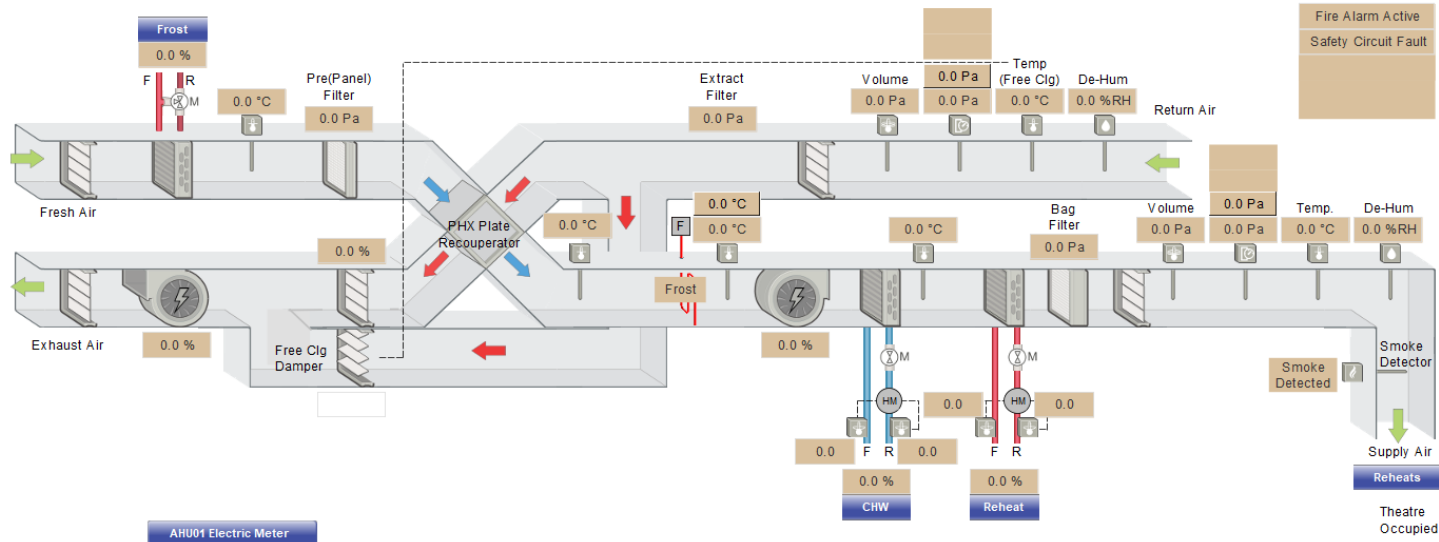


### Example Graphic New Theatres Block - AHU01 Theatre 1

User: admin  
30-Apr-26 2:09 PM BST

History OAT

- Menu
- AHU01 Theatre 1
- AHU01 Reheats
- AHU02 Theatre 2
- AHU02 Reheats
- AHU03 Theatre 3
- AHU03 Reheats
- AHU04 Theatre 4
- AHU04 Reheats
- AHU05 Theatre 5
- AHU05 Reheats
- AHU06 Theatre 6
- AHU06 Reheats
- AHU07 1st Stage Recovery
- AHU07 Reheats
- AHU08 Short Stay Wards
- AHU08 Reheats
- AHU09 2nd Stage Recovery
- AHU09 Reheats
- Overrides
- Setpoint Change
- Network
- Users
- Histories



**AHU01 Electric Meter**

Control	
Time Zone	Occupied
Theatre PIR Off Time	0.0
Main Software Fail Reset	Reset
Main Software Fail Reset Active	
Smoke Detector Fault	<span style="color: red;">■</span>
Free Cooling Available	<input type="checkbox"/>
Free Heating Available	<input type="checkbox"/>

Supply	
Flow Fail Reset	Reset
Pressure High Limit	0.0 %
Pressure Low Limit	0.0 %
Setback Speed Sp	0.0 %
AHU Control Temp Sp	0.0 °C
AHU Control Temp Deadband	0.0 °C
Min. Supply Air Sp	0.0 °C
Max. Supply Humidity Sp	0.0 %RH
CSF Dampers Open	<input type="checkbox"/>

Extract	
Flow Fail Reset	Reset
Pressure High Limit	0.0 %
Pressure Low Limit	0.0 %
Setback Speed Sp	0.0 %
CSF Dampers Open	<input type="checkbox"/>

(To Panel) Surgeons Panel (From Panel)	
Normal Mode	<input type="checkbox"/>
Setback Mode	<input type="checkbox"/>
Vent. Failed	<input type="checkbox"/>
Vent. Low Air Flow	<input type="checkbox"/>
Vent. Filter Dirty	<input type="checkbox"/>
Common Alarm	<input type="checkbox"/>
Space Temp Sp	0.0 °C
Space Temp	0.0 °C
Space Humidity	0.0 %RH

Fire Alarm Active  
Safety Circuit Fault

Smoke Detected

Smoke Detector

Supply Air

Reheats

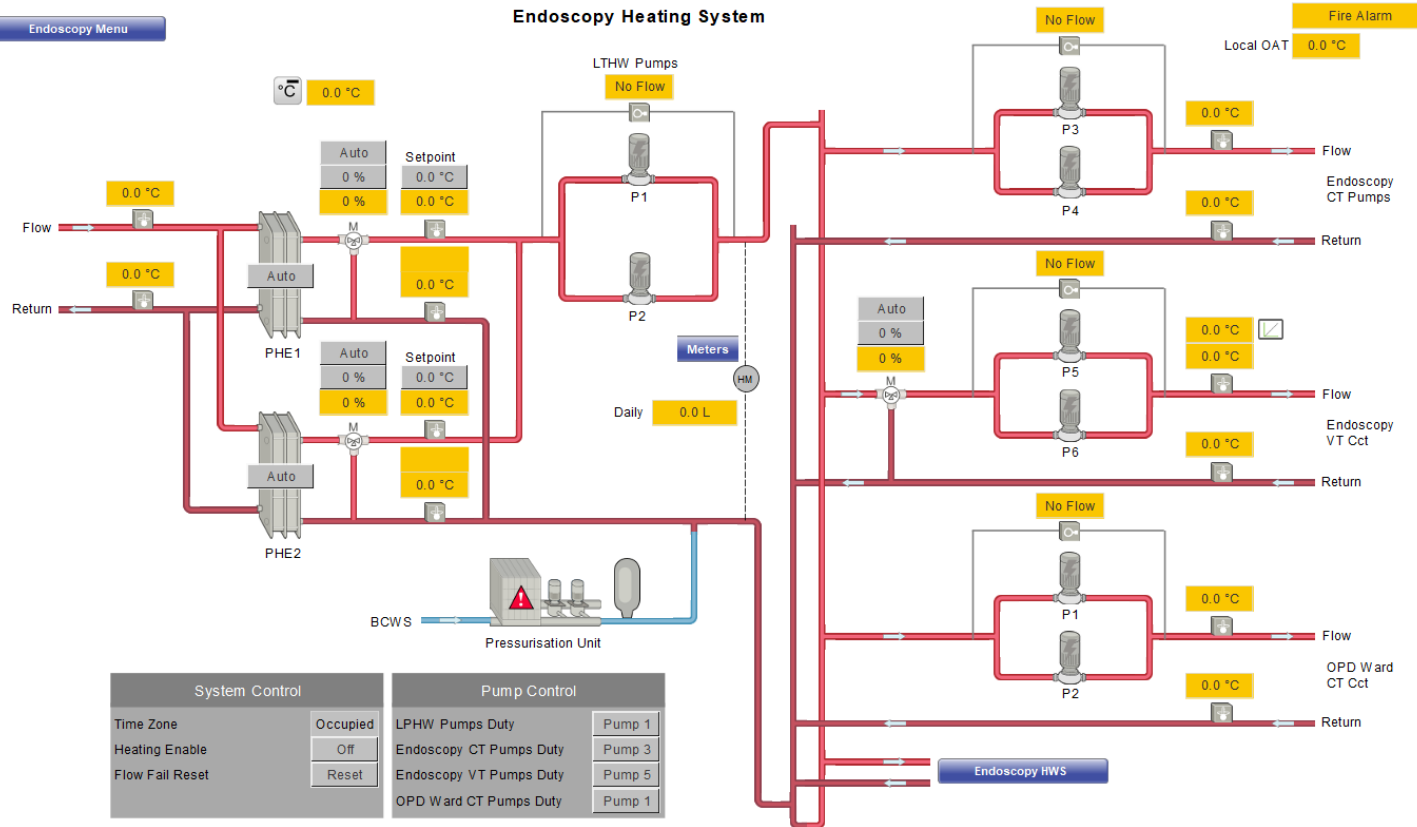
Theatre Occupied



### Example Graphic Heating Systems

0.0 °C OAT

- Menu
- Endoscopy Menu
- A&E CDU CT Htg Cct
- Cedar Heating System
- Endoscopy Heating System
- Endoscopy HWS
- Haste MRI ASHP
- Intensive Care Unit PHE
- MTHW Boilers
- MTHW HWS PHE
- Pathology Heating System
- PGMC Heating System
- PGMC HWS
- Plantroom J Heating
- Plantroom L Heating
- Plantroom M Heating
- Plantroom N Heating
- Plantroom P Heating
- Plantroom Q Heating
- SCBU PHE
- St.Lukes Heating System
- Workshop Calorifiers
- Users
- Histories



System Control		Pump Control	
Time Zone	Occupied	LPHW Pumps Duty	Pump 1
Heating Enable	Off	Endoscopy CT Pumps Duty	Pump 3
Flow Fail Reset	Reset	Endoscopy VT Pumps Duty	Pump 5
		OPD Ward CT Pumps Duty	Pump 1

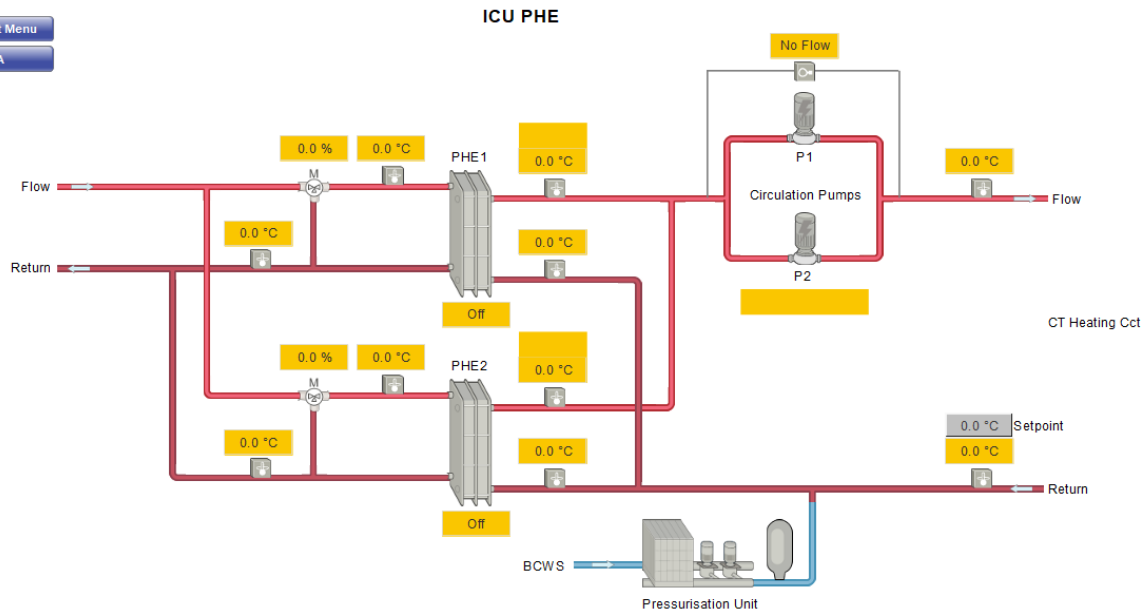
Endoscopy HWS



### Example Graphic Heating Systems

0.0 °C OAT

- Menu
- Intensive Care Unit Menu
  - Plantroom A
- A&E CDU CT Htg Cct
- Cedar Heating System
- Endoscopy Heating System
- Endoscopy HWS
- Haste MRI ASHP
- Intensive Care Unit - PHE
- MTHW Boilers
- MTHW HWS PHE
- Pathology Heating System
- PGMC Heating System
- PGMC HWS
- Plantroom J Heating
- Plantroom L Heating
- Plantroom M Heating
- Plantroom N Heating
- Plantroom P Heating
- Plantroom Q Heating
- SCBU PHE
- St.Lukes Heating System
- Workshop Calorifiers
- Users
- Histories



System Control		Pump Control	
Time Zone	Occupied	Duty Pump	Pump 1
Override	Auto	Flow Fail Reset	Reset
Override Time	0 hr	Pump Run On Time	0 min

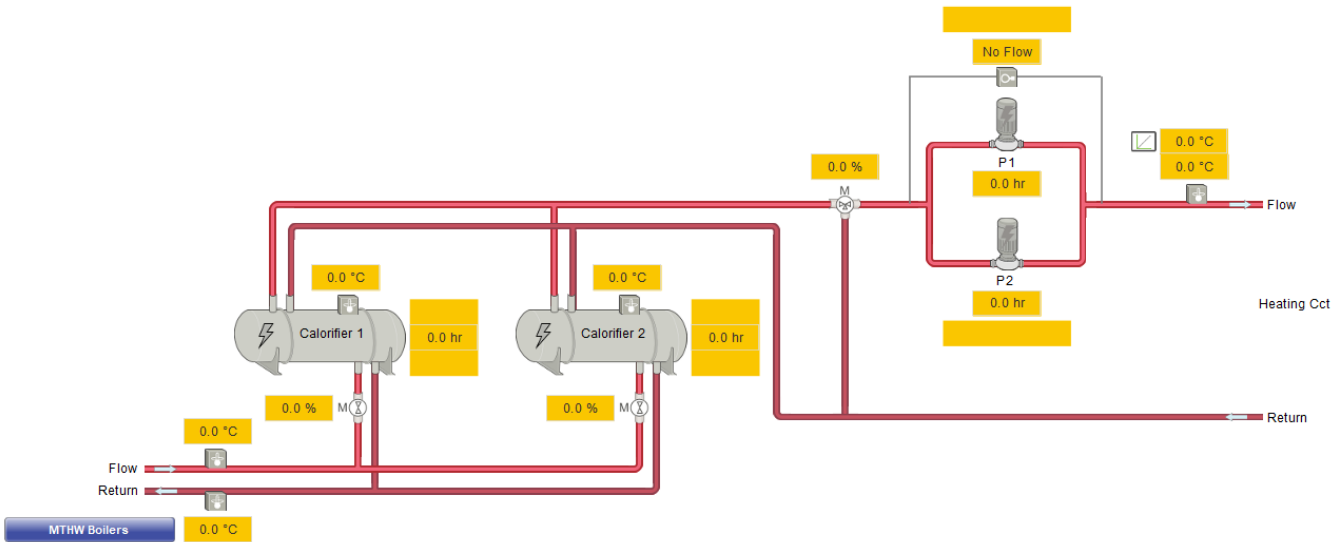


### Example Graphic Heating Systems

0.0 °C OAT

#### Workshop LTHWS

- Menu
- A&E CDU CT Htg Cct
- Cedar Heating System
- Endoscopy Heating System
- Endoscopy HWS
- Haste MRI ASHP
- Intensive Care Unit PHE
- MTHW Boilers
- MTHW HWS PHE
- Pathology Heating System
- PGMC Heating System
- PGMC HWS
- Plantroom J Heating
- Plantroom L Heating
- Plantroom M Heating
- Plantroom N Heating
- Plantroom P Heating
- Plantroom Q Heating
- SCBU PHE
- St.Lukes Heating System
- Workshop Calorifiers**
- 
- 
- 
- 
- 
- Users
- Histories



System Control	
Time Zone	Occupied
Frost Protection Sp (OAT)	0.0 °C
OAT Hold Off Temp Sp	0.0 °C
Hold Off Disable	Off
Min. Run Time	0.0 min
Changeover Day	0
Changeover Time	0.00 min

Calorifiers	
Mode	Auto
Duty	Calor. 1
Temp Sp	0.0 °C
High Limit Temp Sp	0.0 °C
High Limit Reset	Reset
Hours Reset	Reset

Heating Pumps	
Pumps Mode	Auto
Duty	Pump 2
Flow Fail Reset	Reset
Hours Reset	Reset
Run-on Delay Time	0.0 min

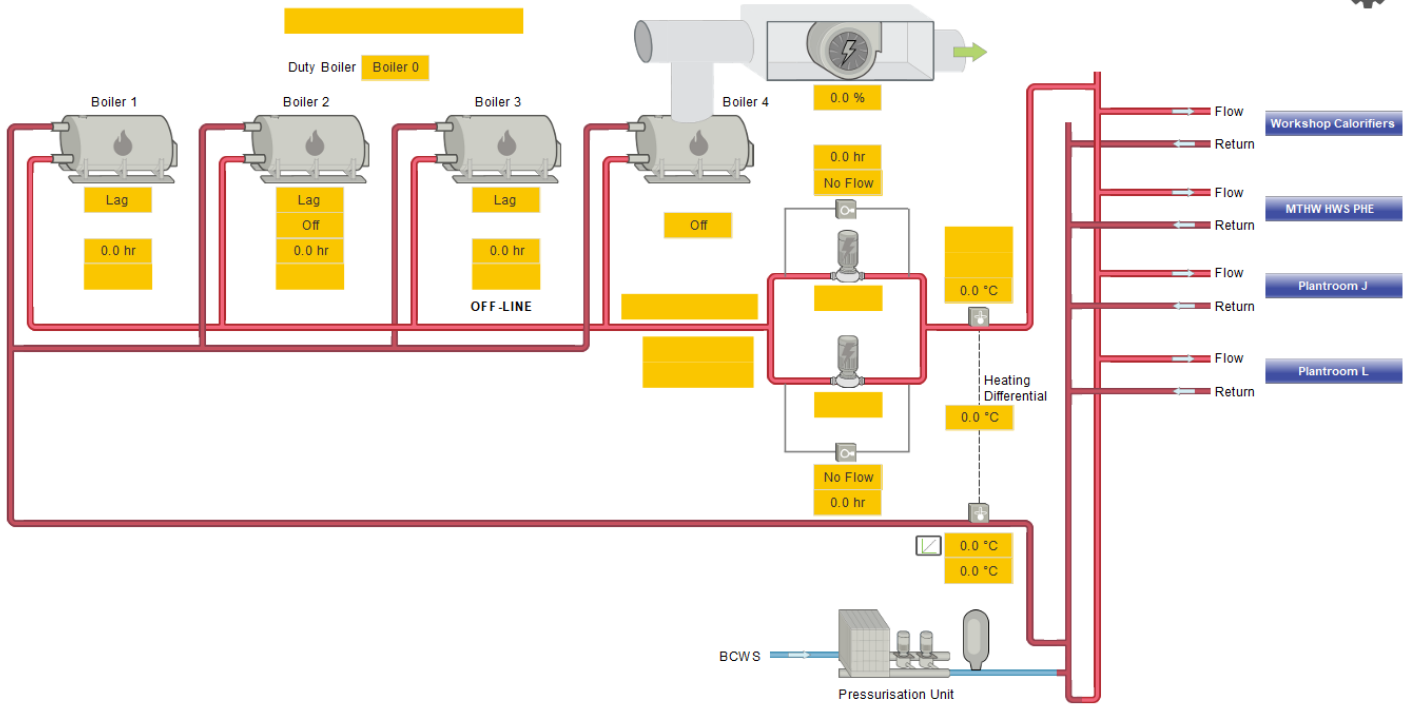


### Example Graphic Heating Systems

0.0 °C OAT

- Menu
- A&E CDU CT Htg Cct
- Cedar Heating System
- Endoscopy Heating System
- Endoscopy HWS
- Haste MRI ASHP
- Intensive Care Unit PHE
- MTHW Boilers
- MTHW HWS PHE
- Pathology Heating System
- PGMC Heating System
- PGMC HWS
- Plantroom J Heating
- Plantroom L Heating
- Plantroom M Heating
- Plantroom N Heating
- Plantroom P Heating
- Plantroom Q Heating
- SCBU PHE
- St.Lukes Heating System
- Workshop Calorifiers
- Users
- Histories

#### Main Boilers

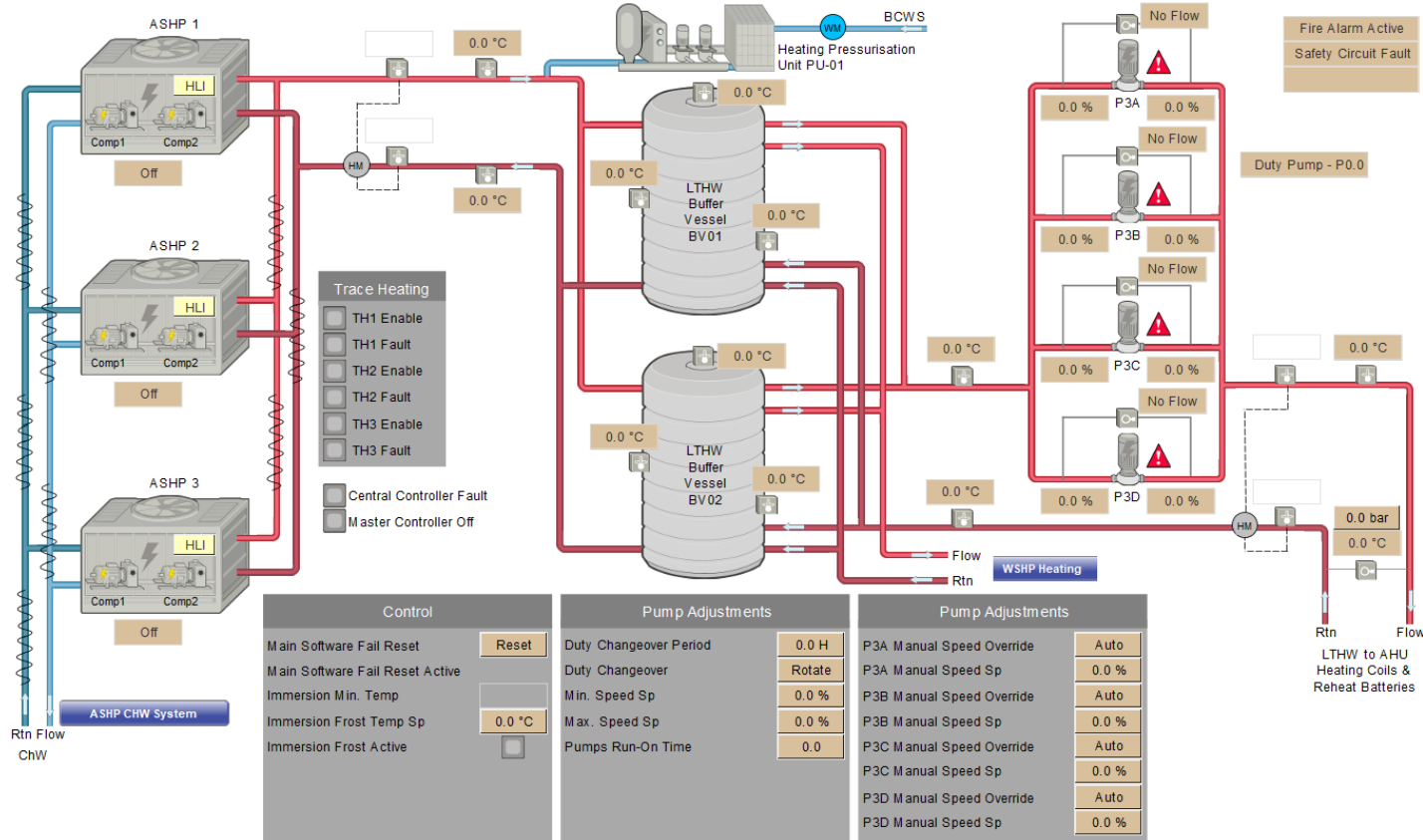




### Example Graphic New Theatres Block - ASHP Heating System

User: admin  
30-Apr-26 2:10 PM BST  
History OAT

- Menu
- ASHP CHW System
- ASHP Heating System
- WSHP Heating System
- DHW System
- Overrides
- Setpoint Change
- Network
- Users
- Histories



- #### Trace Heating
- TH1 Enable
  - TH1 Fault
  - TH2 Enable
  - TH2 Fault
  - TH3 Enable
  - TH3 Fault
  - Central Controller Fault
  - Master Controller Off

Control	
Main Software Fail Reset	<input type="button" value="Reset"/>
Main Software Fail Reset Active	<input type="checkbox"/>
Immersion Min. Temp	<input type="text" value=""/>
Immersion Frost Temp Sp	<input type="text" value="0.0 °C"/>
Immersion Frost Active	<input type="checkbox"/>

Pump Adjustments	
Duty Changeover Period	<input type="text" value="0.0 H"/>
Duty Changeover	<input type="button" value="Rotate"/>
Min. Speed Sp	<input type="text" value="0.0 %"/>
Max. Speed Sp	<input type="text" value="0.0 %"/>
Pumps Run-On Time	<input type="text" value="0.0"/>

Pump Adjustments	
P3A Manual Speed Override	<input type="text" value="Auto"/>
P3A Manual Speed Sp	<input type="text" value="0.0 %"/>
P3B Manual Speed Override	<input type="text" value="Auto"/>
P3B Manual Speed Sp	<input type="text" value="0.0 %"/>
P3C Manual Speed Override	<input type="text" value="Auto"/>
P3C Manual Speed Sp	<input type="text" value="0.0 %"/>
P3D Manual Speed Override	<input type="text" value="Auto"/>
P3D Manual Speed Sp	<input type="text" value="0.0 %"/>

Fire Alarm Active  
Safety Circuit Fault

Duty Pump - P0.0

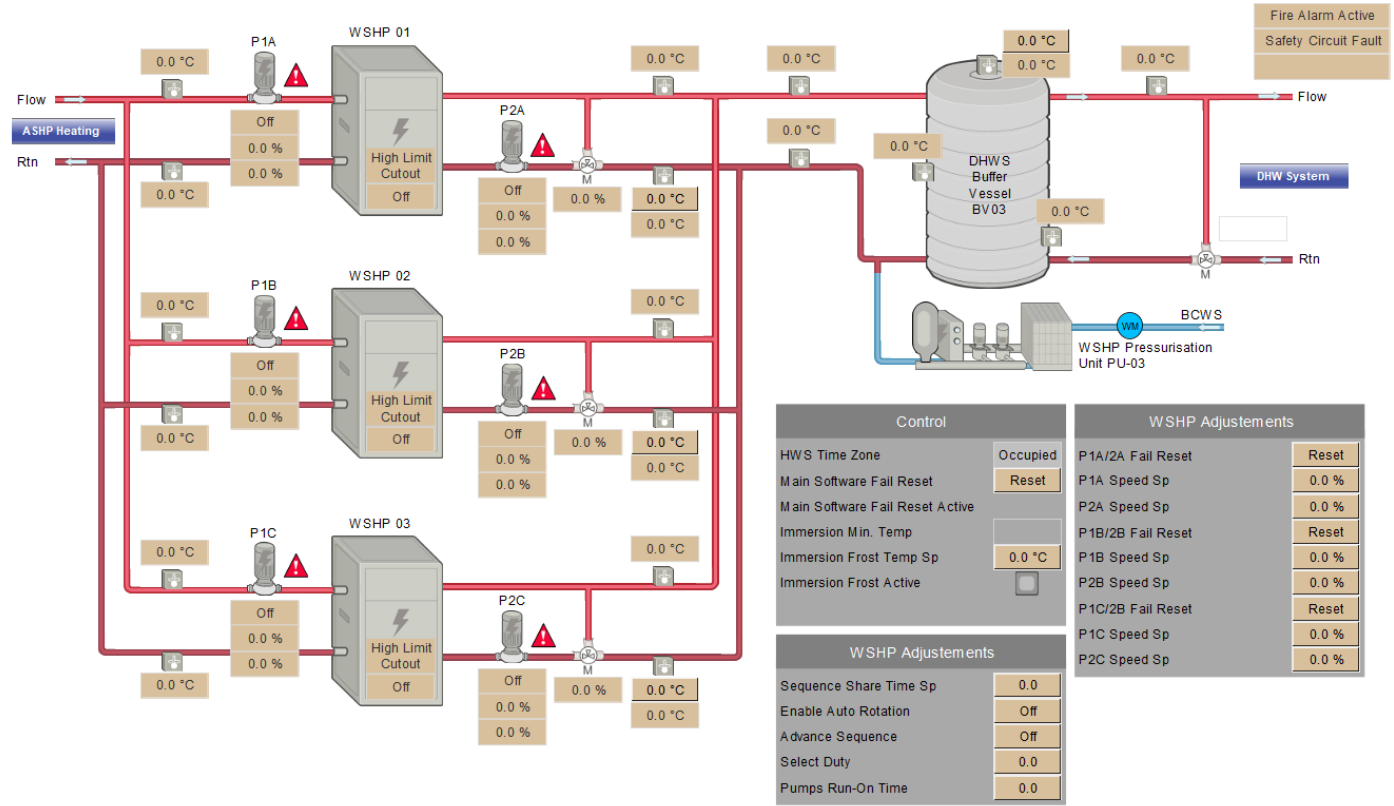
LTHW to AHU Heating Coils & Reheat Batteries



### Example Graphic New Theatres Block - WSHP Heating System

User: admin  
30-Apr-26 2:11 PM BST  
History OAT

- Menu
- ASHP CHW System
- ASHP Heating System
- WSHP Heating System
- DHW System
- Overrides
- Setpoint Change
- Network
- Users
- Histories



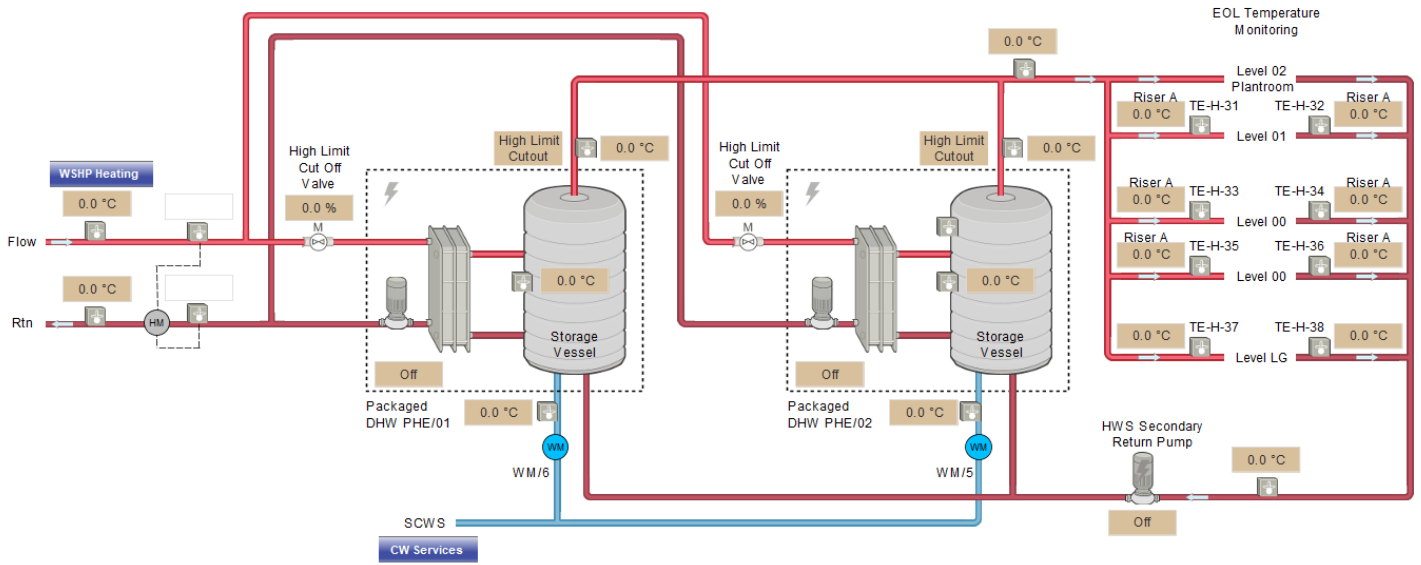


### Example Graphic New Theatres Block - DHW System

User: admin  
30-Apr-26 2:11 PM BST

History OAT

- Menu
- ASHP CHW System
- ASHP Heating System
- WSHP Heating System
- DHW System
- Overrides
- Setpoint Change
- Network
- Users
- Histories



Control

HWS Time Zone	Occupied
Secondary Pump Fail Reset	Reset







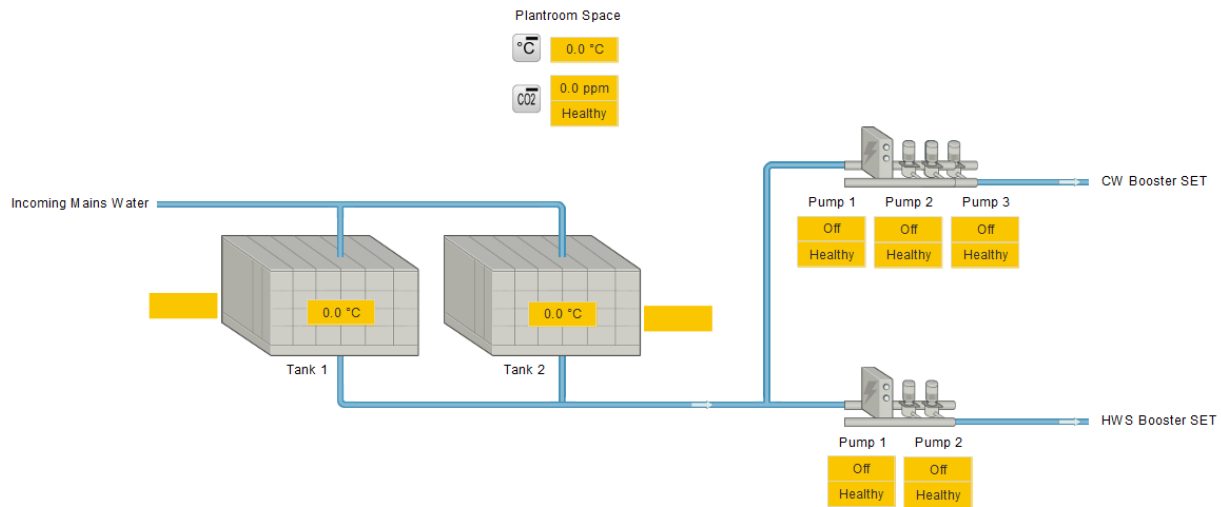


### Example Graphic Cold Water Services

0.0 °C OAT

- Menu
- Air Handling Units
- Cold Water Services
- Chilled Water System
- Dashboard
- Departments
- Electrical
- Floor Plans
- Generators
- Heating Systems
- Metering
- Plantrooms
- Ventilation

- Overrides
- Network
- Users
- Setpoint Change
- Histories



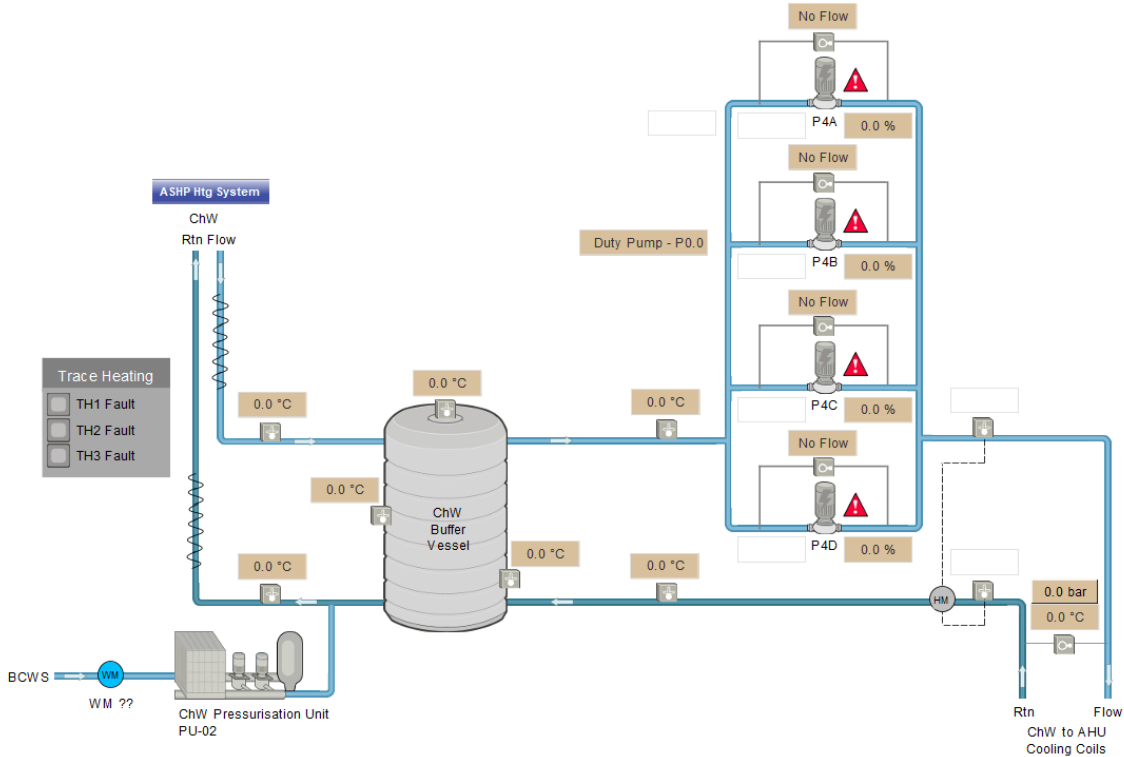


### Example Graphic New Theatres Block - ASHP CHW System

User: admin  
30-Apr-26 2:10 PM BST

History

- Menu
- ASHP CHW System
- ASHP Heating System
- WSHP Heating System
- DHW System
- Trace Heating
- TH1 Fault
- TH2 Fault
- TH3 Fault
- Overrides
- Setpoint Change
- Network
- Users
- Histories



Fire Alarm Active  
Safety Circuit Fault

#### Control

Main Software Fail Reset

Main Software Fail Reset Active

Immersion Min. Temp

Immersion Frost Temp Sp

Immersion Frost Active

#### Pump Adjustments

Duty Changeover Period

Duty Changeover

M in. Speed Sp

Max. Speed Sp

Pumps Run-On Time

P4A Manual Speed Override

P4A Manual Speed Sp

P4B Manual Speed Override

P4B Manual Speed Sp

P4C Manual Speed Override

P4C Manual Speed Sp

P4D Manual Speed Override

P4D Manual Speed Sp



### Example Graphic New Theatres Block - Switchboard UPS-A

User: admin  
30-Apr-26 2:12 PM BST

History OAT

- Menu
- Substation A LV SwBoard
- Substation B LV SwBoard
- Switchboard UPS-A
- Switchboard UPS-B
- Local Dist.Boards Metering
- Main Plant Metering
- Overrides
- Setpoint Change
- Network
- Users
- Histories

